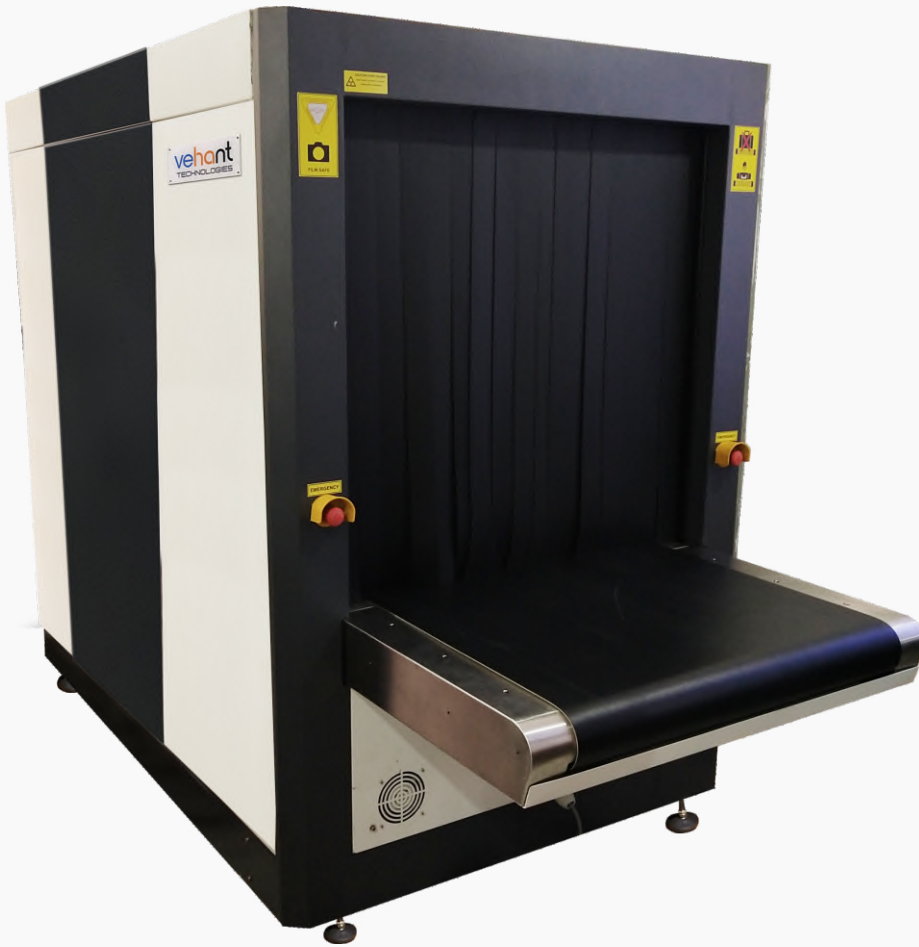
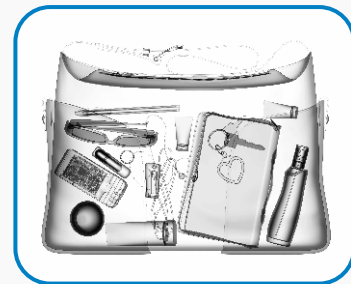


## **KritiScan® 100100 H - Multi-energy X-ray Baggage Scanner**



**Color Image**



**Black & White**



### **About KritiScan® 100100 H**

KritiScan 100100 H is the Multi-energy X-ray baggage scanner designed and developed by Vehant Technologies with Tunnel size - 1000 mm (W) X 1000 mm (H). It is a compact X-ray baggage scanning system ideal for medium and large baggage scanning at high security premises such as Airports, Government offices, Railways and MRTS. KritiScan is the certified X-ray baggage scanner by AERB India with regards to radiation hazards. KritiScan offers numerous optional features such as Threat Image Projection (TIP), Network Supervisory Workstation (NSW) & Video management for effective operation.

#### **SALIENT FEATURES**

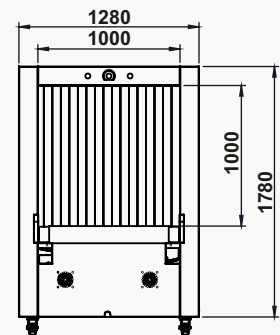
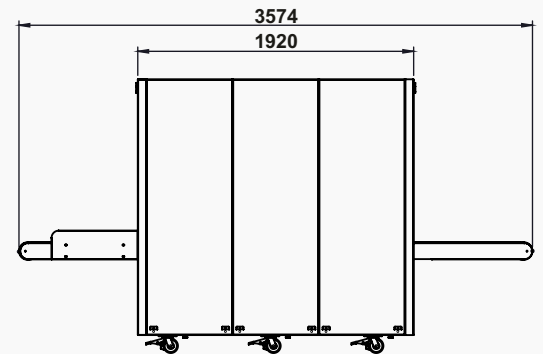
- Radiation safe as per AERB India
- High density alert feature
- Distortion correction through software
- Self-diagnosis feature
- ISO 9001 : 2008
- Bi-directional
- Multi-energy high penetration
- Central supervisor console (Optional)
- Threat Image Projection (Optional)
- Energy Saving device (Optional)
- Combined test piece (Optional)
- Antirodent/dust proof cover (Optional)
- User Configurable

# Technical Specifications

<b>Image Processing</b>	<ul style="list-style-type: none"> <li>• Color / Black &amp; White</li> <li>• Multi-energy</li> <li>• Organic/Inorganic Strip</li> <li>• Edge Enhancement</li> </ul>	<ul style="list-style-type: none"> <li>• Super Enhancement</li> <li>• Negative Image</li> <li>• H/L Penetration</li> <li>• Gray Level Scanning</li> </ul>	<ul style="list-style-type: none"> <li>• Pseudo Color</li> <li>• High Density Alert</li> </ul>
<b>Material Classification</b>	<ul style="list-style-type: none"> <li>• Organic: Orange</li> <li>• Metal: Blue</li> </ul>	<ul style="list-style-type: none"> <li>• Light Metal and Mixture: Green</li> <li>• High Density Material: Black</li> </ul>	
<b>Zoom</b>	<ul style="list-style-type: none"> <li>• 32x/64x</li> </ul>		
<b>Double - screen Display</b>	<ul style="list-style-type: none"> <li>• Double-screen Joint Display</li> </ul>	<ul style="list-style-type: none"> <li>• Color + Black &amp; White Display</li> </ul>	<ul style="list-style-type: none"> <li>• Double-screen Copy Display</li> </ul>
<b>Image Recall</b>	<ul style="list-style-type: none"> <li>• 20 Screens or better</li> </ul>		
<b>Image Storage</b>	<ul style="list-style-type: none"> <li>• 100000 images</li> <li>• Image Simulated Playback</li> </ul>	<ul style="list-style-type: none"> <li>• Image Search</li> <li>• Image Export</li> </ul>	
<b>Additional Features</b>	<ul style="list-style-type: none"> <li>• Baggage Counter</li> <li>• Multi-level user Management</li> <li>• System Work Time Counter</li> <li>• Self-diagnosis</li> </ul>	<ul style="list-style-type: none"> <li>• User Report Management</li> <li>• Maintenance Warning</li> <li>• X - Ray Work Time Counter</li> </ul>	
<b>Optional Features</b>	<ul style="list-style-type: none"> <li>• Threat Image Projection</li> </ul>	<ul style="list-style-type: none"> <li>• Central Supervisor Console</li> </ul>	
<b>Display</b>	<ul style="list-style-type: none"> <li>• High Resolution 18.5" Or Better LCD Monitor/customizable as required</li> </ul>		

## Equipment Specifications

Tunnel Size	- 1000mm (W) * 1000mm (H)
Conveyor Speed	- 0.18 - 0.3 m/s
Max. Conveyor Load	- 200kg (evenly distributed)
Storage Temperature/Humidity	- -20° ~ +60°C / Upto 95% (Non-condensing)
Working Temperature/Humidity	- -5°C ~ +50°C / Upto 95% (Non-condensing)
Working Voltage	- AC 230V, 50Hz
Power	- 2.4kVA



## Performance Index

Line Resolution	- 42 SWG/38 AWG
Steel Penetration	- 35 mm
Image Resolution	- 1280x1024 pixels

## X - Ray Generator

X - Ray Direction	- Upward
Tube Voltage	- 160kV
Tube Current	- 0.3 ~ 1.2 mA (Adjustable)
Cooling / Duty Cycle	- Sealed Oil Cooling/100%

\*specifications are subject to change without prior notice

# All dimensions are in millimeter unit



## CONTACT US

**Vehant Technologies Pvt. Ltd.**

B-73, Sector-57, Noida,  
Uttar Pradesh, India

+91-120-4610200

+91-120-4610299

contact@vehant.com

www.vehant.com