

KritiScan™ 6040 - Multi-energy X-ray Baggage Scanner



Color Image



Black & White



About KritiScan™ 6040

KritiScan 6040 is the Multi-energy X-ray baggage scanner designed and developed by Vehant Technologies with Tunnel size - 600 mm (W) X 400 mm (H). It is a compact X-ray baggage scanning system ideal for checkpoints and small baggage scanning at high security premises such as Airports, Government offices, Railways, MRTS and other baggage scanning applications. KritiScan offers numerous optional features such as Threat Image Projection (TIP), Network Supervisory Workstation (NSW) & Video management for effective operation.

SALIENT FEATURES

- Radiation safe as per AERB India
- High density alert feature
- Distortion correction through software
- Self-diagnosis feature
- Multi-energy high penetration
- Central supervisor console (Optional)
- Threat Image Projection (Optional)
- Energy Saving device (Optional)

Technical Specifications

Image Processing	<ul style="list-style-type: none"> • Color / Black & White • Multi-energy • Organic/Inorganic Strip • Edge Enhancement 	<ul style="list-style-type: none"> • Super Enhancement • Negative Image • H/L Penetration • Gray Level Scanning 	<ul style="list-style-type: none"> • Pseudo Color • High Density Alert
Material Classification	<ul style="list-style-type: none"> • Organic: Orange • Metal: Blue 	<ul style="list-style-type: none"> • Light Metal and Mixture: Green • High Density Material: Black 	
Zoom	<ul style="list-style-type: none"> • 32x/64x 		
Double - screen Display	<ul style="list-style-type: none"> • Double-screen Joint Display 	<ul style="list-style-type: none"> • Color + Black & White Display 	<ul style="list-style-type: none"> • Double-screen Copy Display
Image Recall	<ul style="list-style-type: none"> • 20 Screens or better 		
Image Storage	<ul style="list-style-type: none"> • 100000 images • Image Simulated Playback 	<ul style="list-style-type: none"> • Image Search • Image Export 	
Additional Features	<ul style="list-style-type: none"> • Baggage Counter • Multi-level user Management • System Work Time Counter • Self-diagnosis 	<ul style="list-style-type: none"> • User Report Management • Maintenance Warning • X - Ray Work Time Counter 	
Optional Features	<ul style="list-style-type: none"> • Threat Image Projection 	<ul style="list-style-type: none"> • Central Supervisor Console 	
Display	<ul style="list-style-type: none"> • High Resolution 17" TFT/customizable as required 		

Equipment Specifications

Tunnel Size	- 600mm (W) * 400mm (H)
Conveyor Speed	- 0.2/0.3 m/s
Max. Conveyor Load	- 160kg (evenly distributed)
Storage Temperature/Humidity	- -20° ~ +60°C / 10% ~ 95% (Non-condensing)
Working Temperature/Humidity	- -5°C ~ +50°C / 10% ~ 95% (Non-condensing)
Working Voltage	- AC 220V, 50Hz
Power	- 2.2kVA

Performance Index

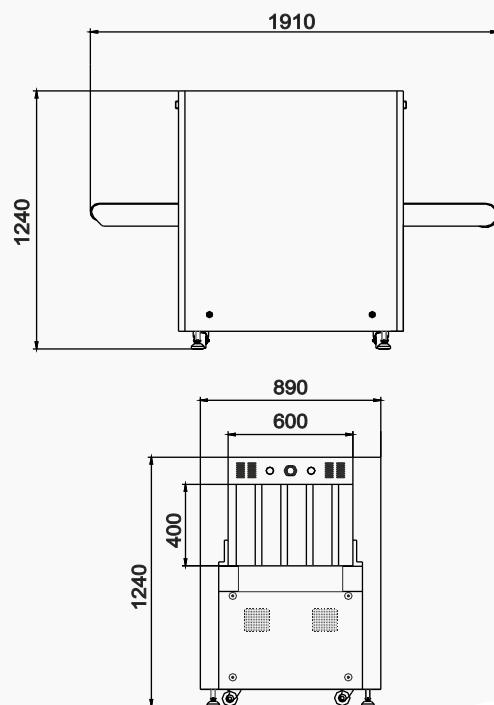
Line Resolution	- 42 SWG/38 AWG
Steel Penetration	- 35 mm
Image Resolution	- 1280x1024 pixels

X - Ray Generator

X - Ray Direction	- Upward
Tube Voltage	- 100 - 160kV (Adjustable)
Tube Current	- 0.3 ~ 1.2 mA (Adjustable)
Cooling / Duty Cycle	- Sealed Oil Cooling/100%

*specifications are subject to change without prior notice

All dimensions are in millimeter unit



CONTACT US

Vehant Technologies Pvt. Ltd.

B-73, Sector-57, Noida,
Uttar Pradesh, India

+91-120-4610200

+91-120-4610299

contact@vehant.com

www.vehant.com