

KritiScan™ 6040R: 3D X-ray Baggage Scanner



**Image through
conventional
single view scanner**



**Image through Vehant
3D scanner**



About KritiScan™ 6040R

KritiScan 6040R X-ray baggage scanner is designed and developed by Vehant Technologies, which creates virtual 3D images and provide operator with isometric view of the scanned baggage by generating three dimensional image of the object. KritiScan 6040R provides extremely detailed images with enhanced detection capabilities. It is a compact X-ray baggage scanning system ideal for checkpoints and small baggage scanning at high security premises such as Airports, Government offices, Railways, MRTS etc. KritiScan 6040R offers numerous optional features such as Threat Image Projection (TIP), Network Supervisory Workstation (NSW) & Video management for effective operation.

SALIENT FEATURES

- **Dual energy based virtual 3D imaging**
- Radiation safe as per AERB India
- High density alert feature
- Distortion correction through software
- Self-diagnosis feature
- Multi-energy high penetration
- Central supervisor console (Optional)
- Threat Image Projection (Optional)

Technical Specifications

Image Processing	<ul style="list-style-type: none"> • Color / Black & White • Multi-energy • Organic/Inorganic Strip • Edge Enhancement 	<ul style="list-style-type: none"> • Super Enhancement • Negative Image • H/L Penetration • Gray Level Scanning 	<ul style="list-style-type: none"> • Pseudo Color • High Density Alert
Material Classification	<ul style="list-style-type: none"> • Organic: Orange • Metal: Blue 	<ul style="list-style-type: none"> • Light Metal and Mixture: Green • High Density Material: Black 	
Zoom	<ul style="list-style-type: none"> • 32x/64x 		
Double - screen Display	<ul style="list-style-type: none"> • Double-screen Joint Display 	<ul style="list-style-type: none"> • Color + Black & White Display 	<ul style="list-style-type: none"> • Double-screen Copy Display
Image Recall	<ul style="list-style-type: none"> • 20 Screens or better 		
Image Storage	<ul style="list-style-type: none"> • 100000 images • Image Simulated Playback 	<ul style="list-style-type: none"> • Image Search • Image Export 	
Additional Features	<ul style="list-style-type: none"> • Baggage Counter • Multi-level user Management • System Work Time Counter • Self-diagnosis 	<ul style="list-style-type: none"> • User Report Management • Maintenance Warning • X - Ray Work Time Counter 	
Optional Features	<ul style="list-style-type: none"> • Threat Image Projection 	<ul style="list-style-type: none"> • Central Supervisor Console 	
Display	<ul style="list-style-type: none"> • High Resolution 17" TFT or better 		

Equipment Specifications

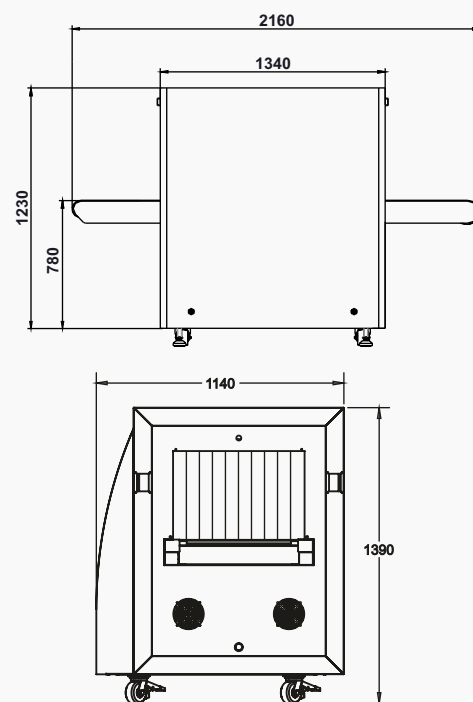
Tunnel Size	- 600mm (W) * 400mm (H)
Conveyor Speed	- 0.2/0.3 m/s
Max. Conveyor Load	- 160kg (evenly distributed)
Storage Temperature/Humidity	- -20° ~ +60°C / 10% ~ 95% (Non-condensing)
Working Temperature/Humidity	- -5°C ~ +50°C / 10% ~ 95% (Non-condensing)
Working Voltage	- AC 220V, 50Hz
Power	- 2.2kVA

Performance Index

Line Resolution	- 42 SWG/38 AWG
Steel Penetration	- 30 mm
Image Resolution	- 1280x1024 pixels

X - Ray Generator

Tube Voltage	- 100 - 160kV (Adjustable)
Tube Current	- 0.3 ~ 1.2 mA (Adjustable)
Cooling / Duty Cycle	- Sealed Oil Cooling/100%



*specifications are subject to change without prior notice
All dimensions are in millimeter unit



CONTACT US

Vehant Technologies Pvt. Ltd.

B-73, Sector-57, Noida,
Uttar Pradesh, India

+91-120-4610200

+91-120-4610299

contact@vehant.com

www.vehant.com