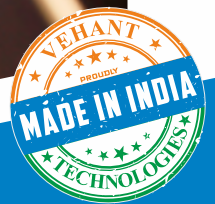


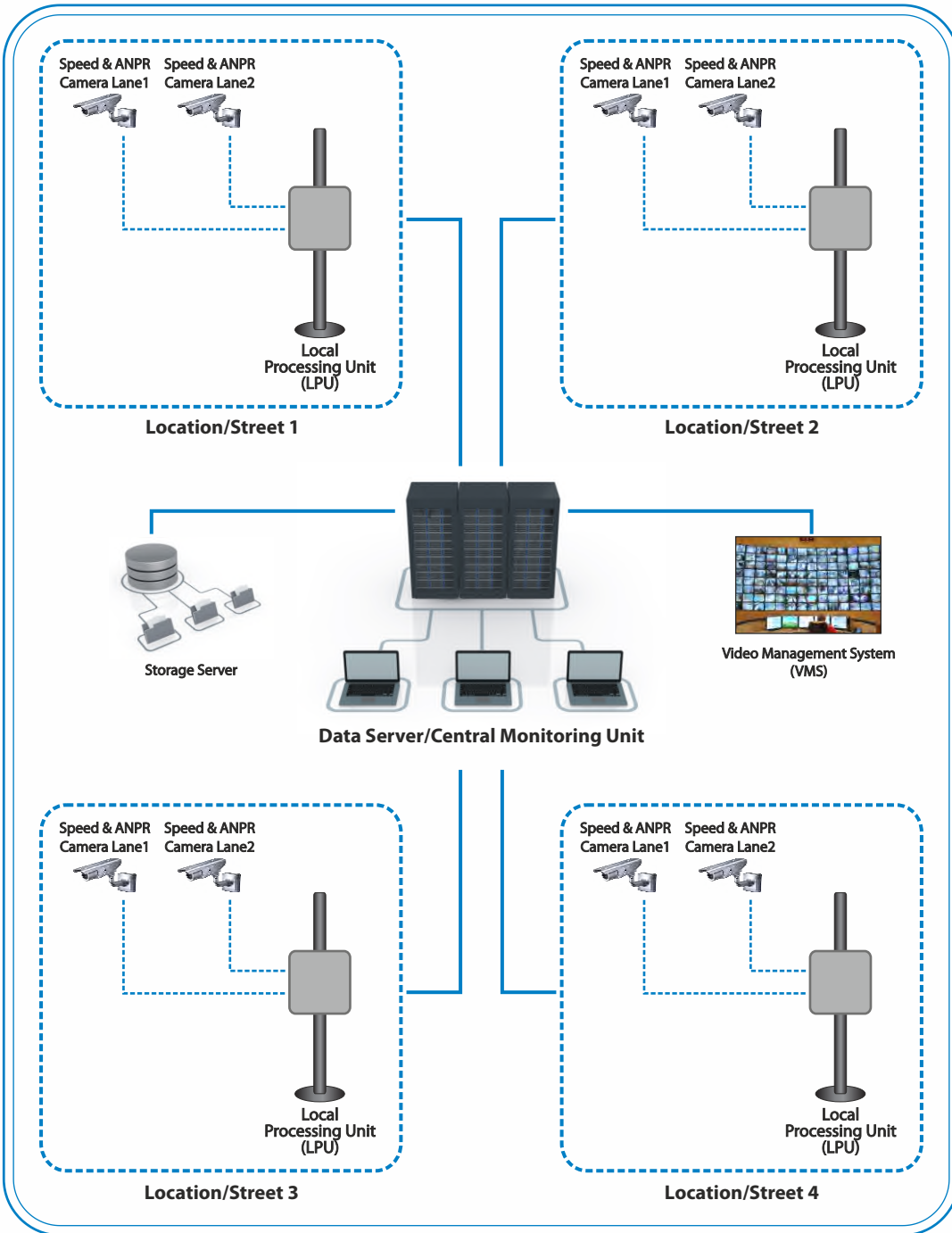
TrafficMon™ - Speed Violation Detection System



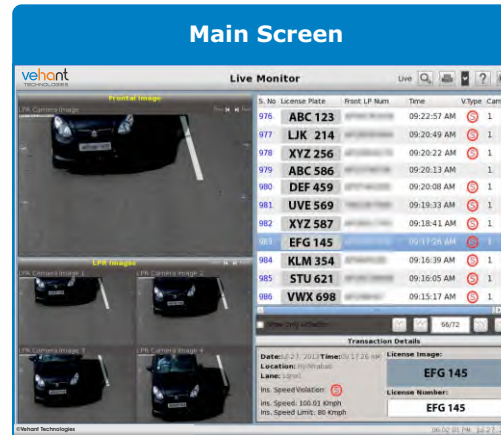
About TrafficMon™

TrafficMon Speed Violation Detection is the state of the art video based speed violation detection system which determines the vehicular speed by calculating the time between the two frames of the vehicle and captures image of the number plate of the violating vehicle. TrafficMon does not use the conventional sensor like radars, inductive loop sensor, laser etc for detecting the speed. The solution comes with the user-friendly Graphical User Interface (GUI) for seamless operation.

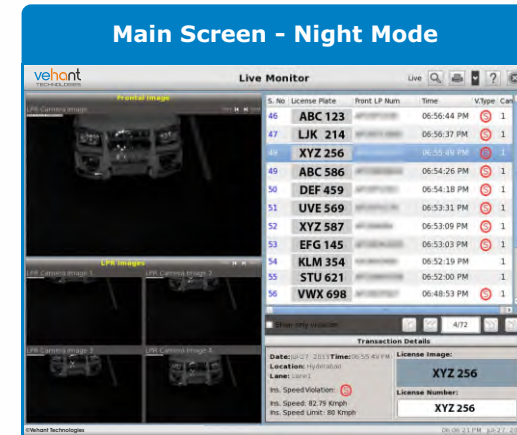
System Architecture



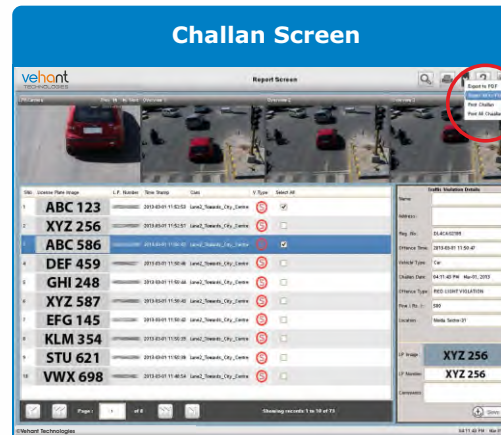
Graphical User Interface



Main Screen displays the live transactional data of the vehicles passing through the lanes with four different frames. It displays the instantaneous speed, number plate of the vehicle, location and time.



It is the night mode of the main screen with all the functionalities of the main screen.



Challan Screen displays the list of speed violating vehicles as per user-defined criteria with details including instantaneous speed vehicle number plate, location and time stamp. The operator uses the information to validate and print the challan.



Specimen copy of e-challan (It can be customised as per client's requirement).

Technical Specifications

Camera	Interface Resolution Shutter Speed Operating temperature (°C) Frame Rate	IP 1 Megapixel and above 1/50 to 1/10000 0 - 45 25/30 fps
Lens	Varifocal Mount	10 - 40 mm CS
IR Illuminator	Wavelength IR Illuminator Range Environment Protection	850nm (Semi Covert) 10 - 15m IP 65
Camera Housing	Environment Protection Housing	IP 65/ IP 66
Processing Unit	Processor RAM Hard Disk Capacity	Intel Pentium (2.4 Ghz) or better 2 GB 500 GB
Speed Limit		120 Km/hr [#]
Installation and Mounting		Pole Mounted/Overhead Gantry

Key Features

- ▶ Video based speed violation detection system
- ▶ The system determines the instantaneous speed by calculating the time between the two frames of the vehicle
- ▶ Can give the average speed of the vehicle between the two reference points
- ▶ System can be used for hot-listed/stolen and wanted vehicle
- ▶ Reads upto 120km/hr of speed with high accuracy
- ▶ Does not use any inductive loop sensors/radar
- ▶ User friendly Graphical User Interface (GUI)
- ▶ Speed limit can be increased with different set of hardware



*specifications are subject to change without prior notice
#higher speed system also available as an option

CONTACT US
Vehant Technologies Pvt. Ltd.
B-73, Sector-57, Noida,
Uttar Pradesh, India
☎ +91-120-4610200
📠 +91-120-4610299
contact@vehant.com
www.vehant.com