

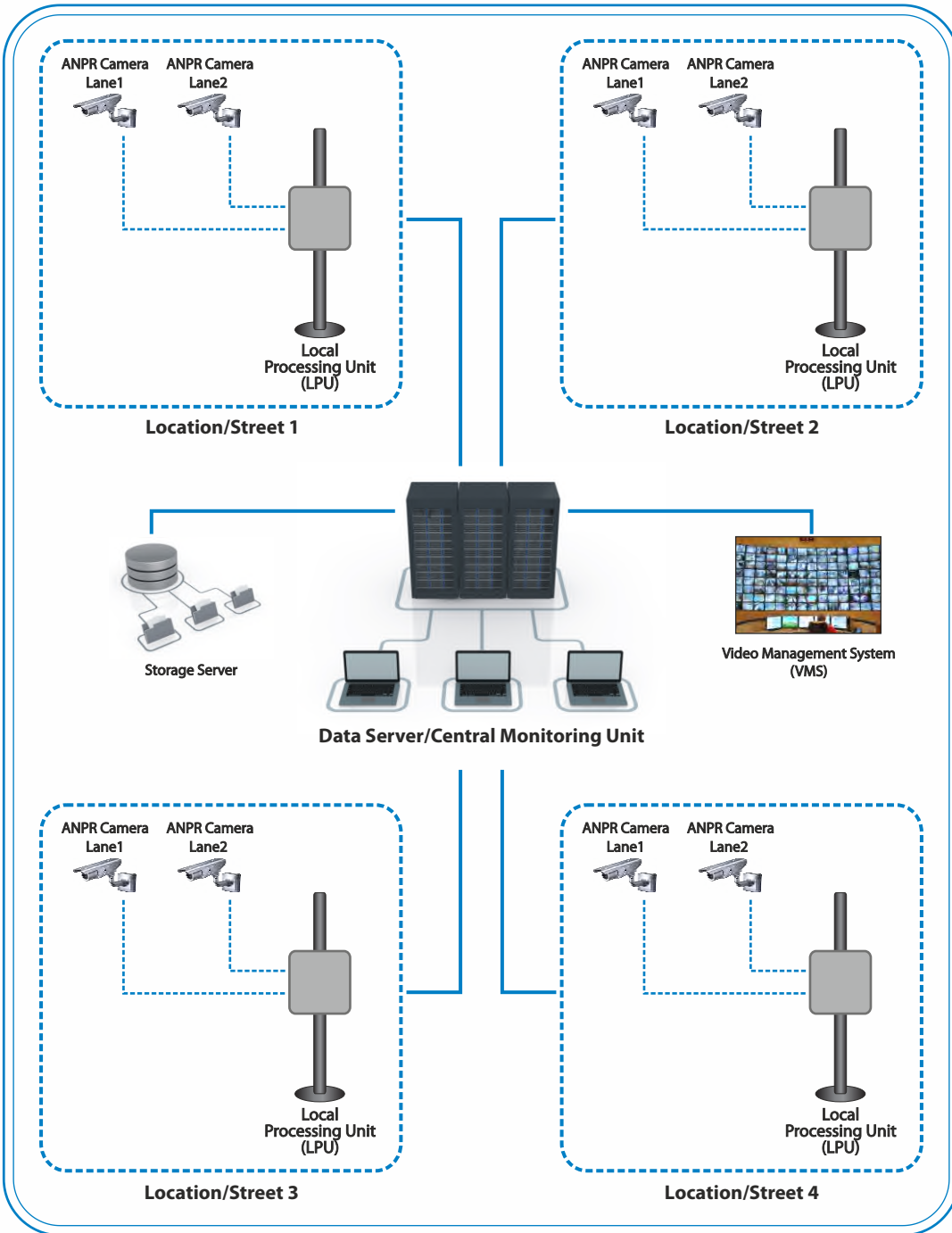
VehiScan[®] - Automated Number Plate Recognition (ANPR)



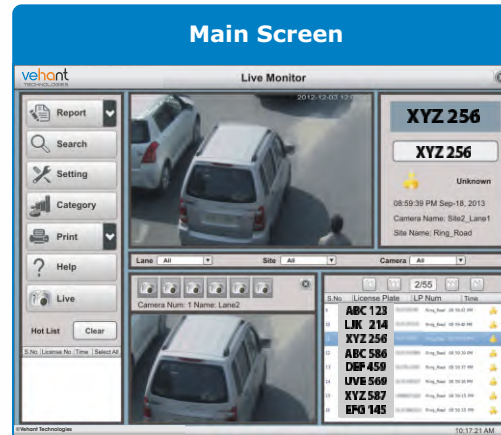
About VehiScan[®]

VehiScan is the state of the art real time Optical Character Recognition (OCR) based vehicle monitoring system using automatic number plate reading (ANPR) for tracking and identification of vehicles. The system analyzes a video stream in real-time from the camera and processes the same analyzed video stream for ANPR function. The processed vehicle license plates are stored in database and can be verified against number of user-defined criteria. It can be deployed at Border check-posts, Toll Gates/Booths, Entry/Exit Traffic surveillance, Traffic law enforcement applications & hot-listed/stolen/suspected and barred vehicles as part of city surveillance solution.

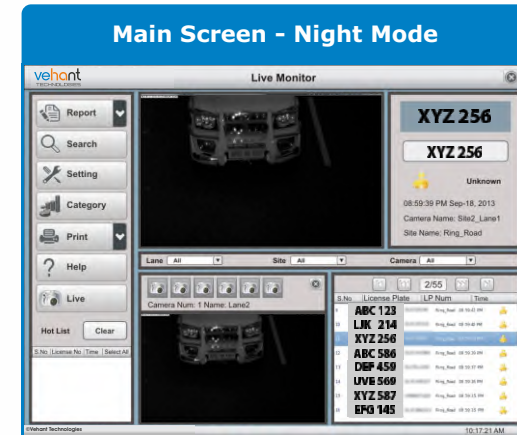
System Architecture



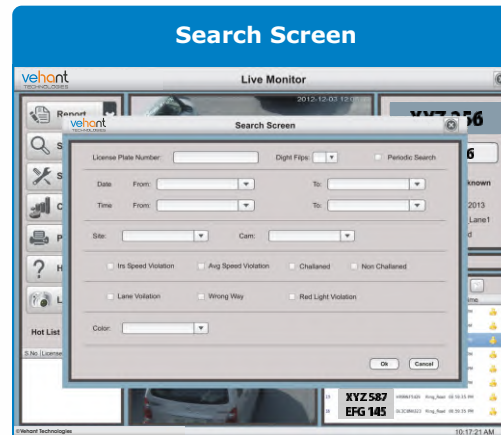
Graphical User Interface



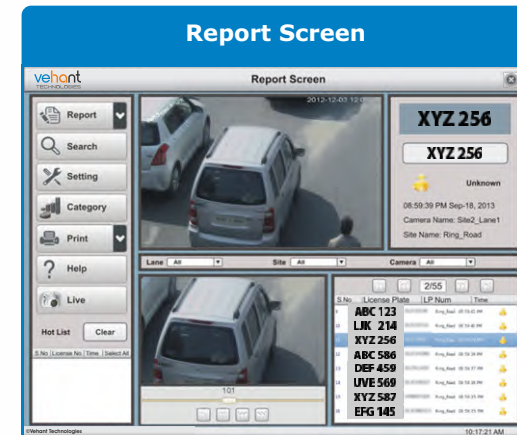
Main Screen display the image of the vehicles with their number plates. It stores vehicle's alpha-numeric number plate letters into text format and highlights any wanted/stolen hot-listed vehicle as per user define criteria.



It is the night mode of the main screen with all the functionalities of the main screen.



It provides the customise search options including hot-listed vehicle, date, time, location, license number plate of search vehicles.



Report screen displays details about the search vehicle including the number plate, date, time and wanted/stolen/hot-listed if any.

Technical Specifications

Camera	Interface Format Resolution Shutter Speed Operating temperature (°C) Frame Rate	IP HDTV 720p/1080p 1 Megapixel and above 1/50 to 1/10000 0 - 50 25/30 fps
Lens	Varifocal Electronic IRIS Control Mount	5 - 50 mm DC Type CS
IR Illuminator	Wavelength IR Illuminator Range Environment Protection	850nm (Semi Covert) 10 - 15m IP 65
Camera Housing	Environment Protection Housing	IP 65/ IP 66
Processing Unit	Processor RAM Hard Disk Capacity	Intel Pentium (2.4 GHz) or better 2 GB 500 GB
Speed Limit		120 Km/hr [#]
Installation and Mounting		Pole Mounted/Overhead Gantry

Key Features

- ▶ Detects and reads license plates automatically in real time
- ▶ Real time 24x7 city surveillance solution
- ▶ The system can process four wheelers and above with speed upto 120km/hr
- ▶ Does not use any inductive loop sensors/radar for vehicle detection
- ▶ Can be used for stolen/suspected/hot-listed vehicles
- ▶ Integrate with other security modules
- ▶ System can detect & recognize different dimensions/contrast/color license plate with various fonts & style
- ▶ Multiple entry points can be integrated together to a single central console
- ▶ Speed limit can be increased with different set of hardware



*specifications are subject to change without prior notice
#higher speed system also available as an option

CONTACT US
Vehant Technologies Pvt. Ltd.
B-73, Sector-57, Noida,
Uttar Pradesh, India
☎ +91-120-4610200
📠 +91-120-4610299
contact@vehant.com
www.vehant.com